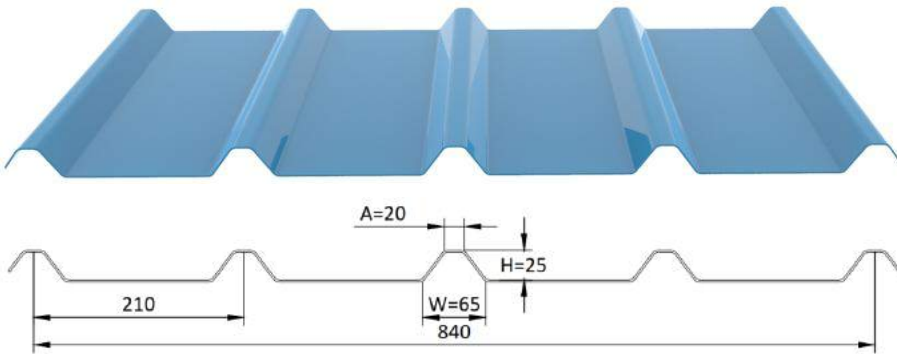
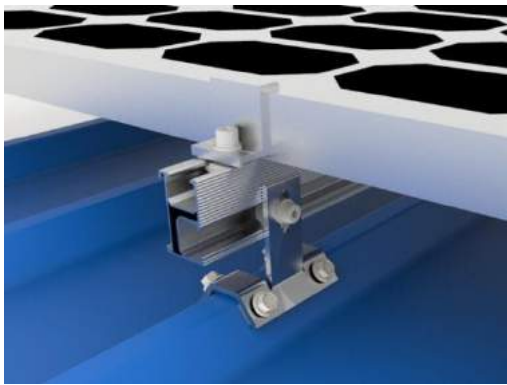


Trapezoidal Metal Roof Clamps



Technical Information

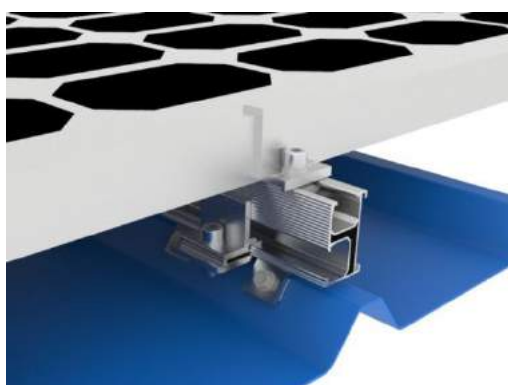
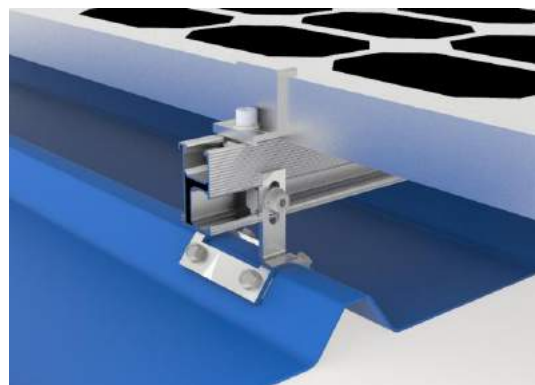
- Material: SUS304 & EPDM
- Application: Trapezoidal Metal Roof
- Fixed Way: Using self-tapping screw to fix the clamps on the roof



MG-SS-MRC-01

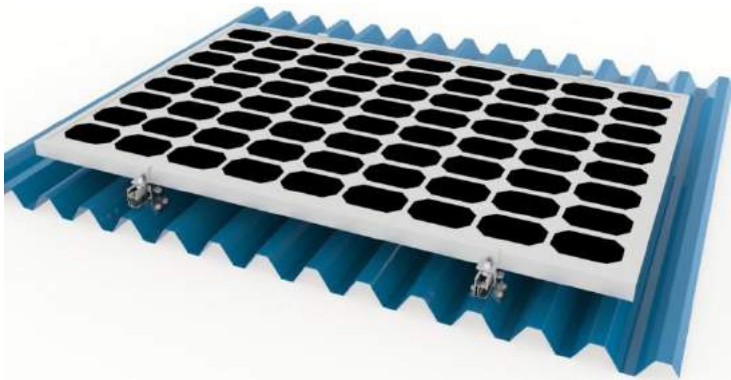


MG-SS-MRC-01-A



MG-SS-MRC-01-B

Trapezoidal Metal Roof Clamps



Technical Information

- Material: AL6005-T5 & EPDM
- Application: Trapezoidal Metal Roof
- Fixed Way: Using self-tapping screw to fix the clamps on the roof
- Custom made available for different metal roof

Horizontal Solution



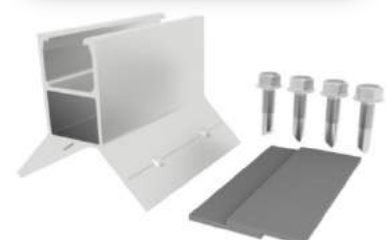
MG-AL-MRC-01

Vertical Solution



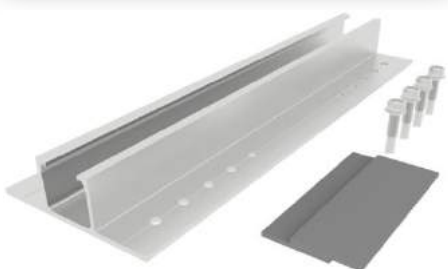
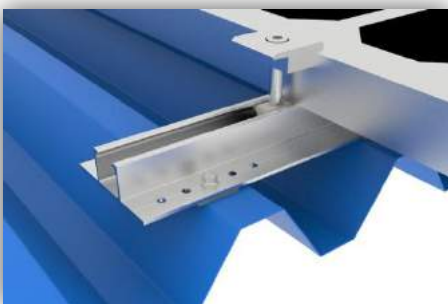
MG-AL-MRC-02

Horizontal & Rail-less Solution



MG-AL-MRC-03

Vertical & Rail-less Solution

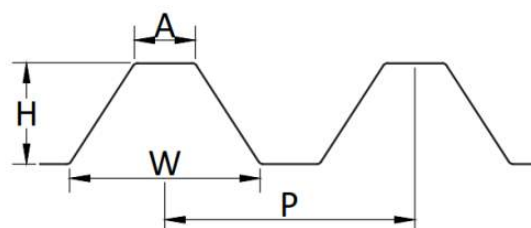


MG-AL-MRC-04

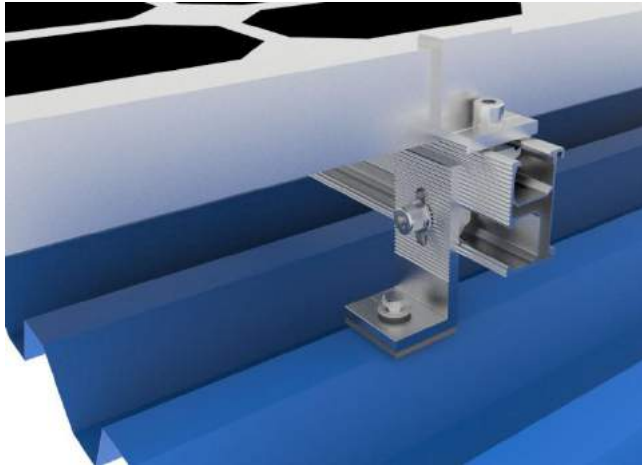
Trapezoidal Metal Roof Sheet Specification

Style	A	W	H	P
88Style	35	165	88	200
150Style	40	210	150	250
S 60Style	50	250	170	300

Custom-made clamps for different metal roof sheet specification



L Foot Mount



L Foot mount have been widely used on universal corrugated metal sheet roof. It also can fix to the roof rafter directly.

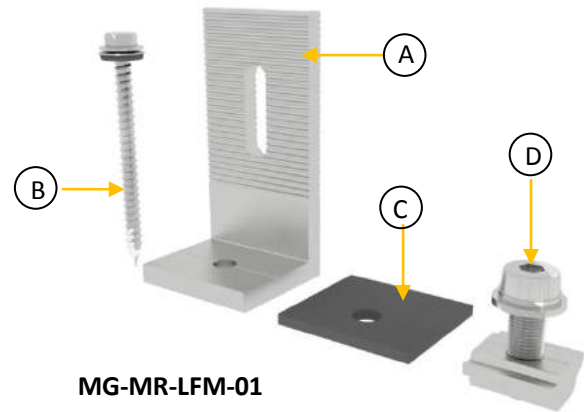
Plus, it can be applied with all kinds of hanger bolt and roof clamps.

Features

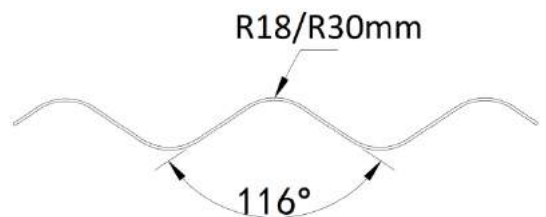
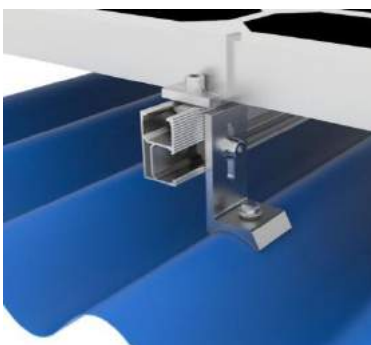
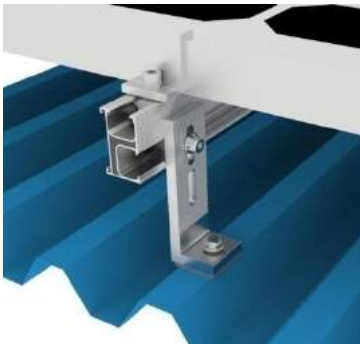
1. Simple and cost-effective installation
2. Material: Aluminum 6005-T5 & SUS 304
3. Waterproof rubber gasket integrated
4. Apply for many kinds of metal roof

Components List

Components	Quantity
A. L Foot Mount	1
B. M6.3x80mm wood screw	1
C. Rubber Gasket	1
D. M8X25 SUS 304 bolt& rail nut & SUS washer	1



Specification



Hanger Bolt Mount



MG-MR-HB

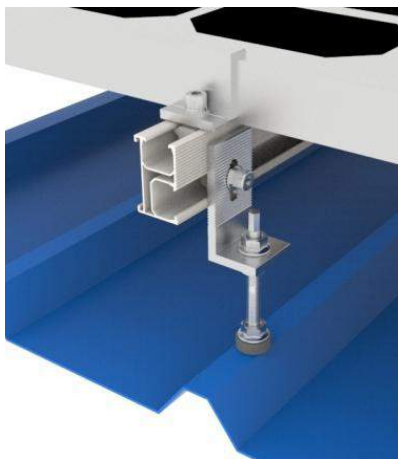
MG-MR-HB-S

Hanger Bolt apply to install on both wooden rafter and steel purlin. Both types can be applied with L Foot and plate. There are three sizes most common use, M10x200mm, M12x200mm and M12x300mm Hanger bolt.

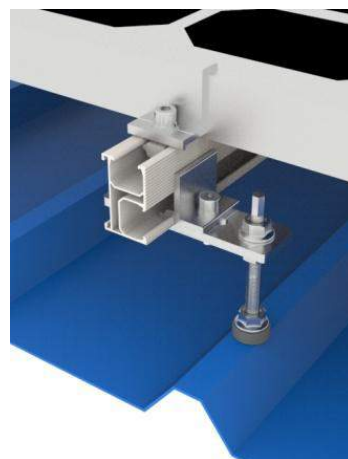
Features

1. Fast and simple installation
2. Made of SUS 304
3. Highly corrosion resistant surface treatment
4. Waterproof EPDM rubber integrated
5. Wooden rafter and steel purlin options

Hanger Bolt Mount Series

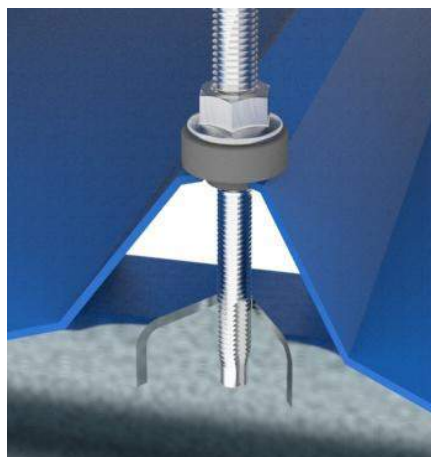


MG-MR-HB-01



MG-MR-HB-02

Application

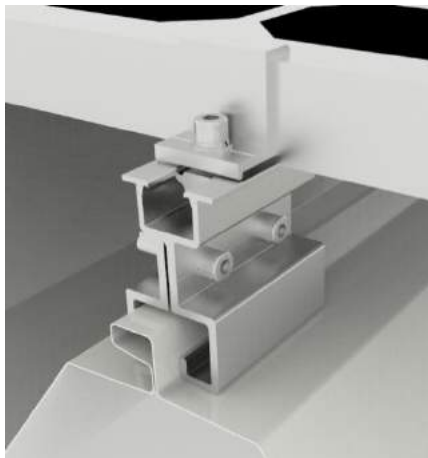
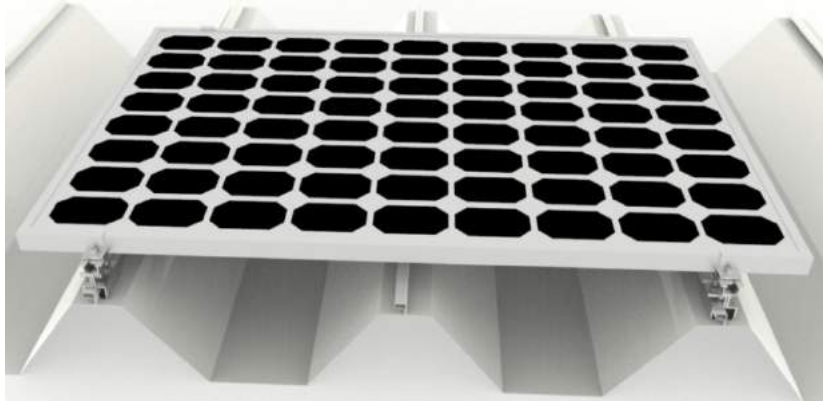


MG-MR-HB-S-01

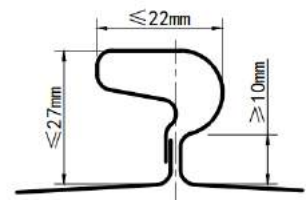
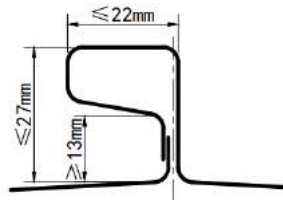
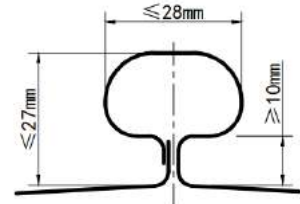
Standing Seam Roof Clamps



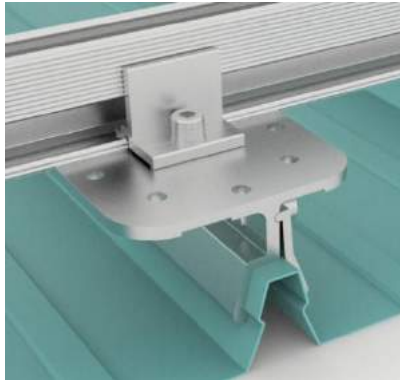
MG-SS-RC-01



Standing Seam Metal Roof Sheet Specification



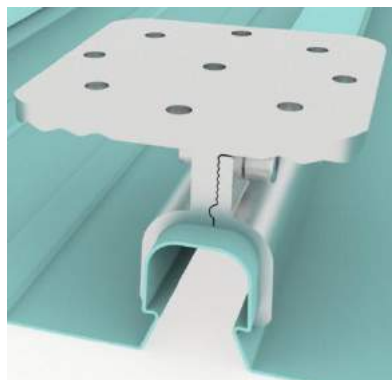
MG-SS-RC-02



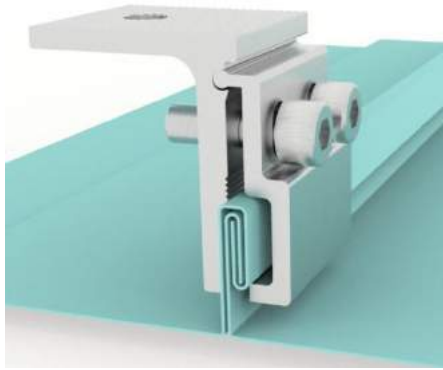
MG-SS-RC-04



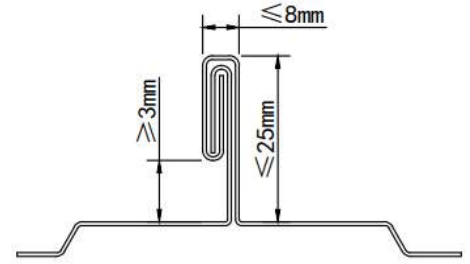
MG-SS-RC-03



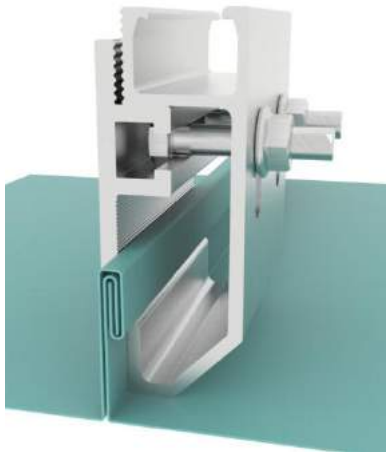
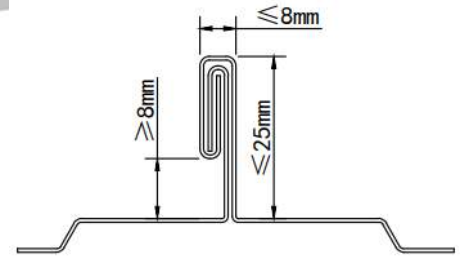
Standing Seam Roof Clamps



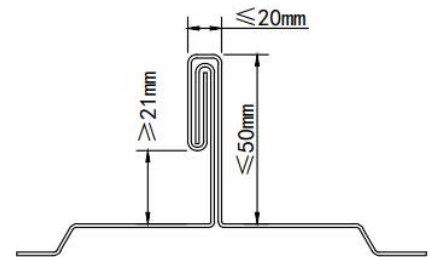
MG-SS-RC-05



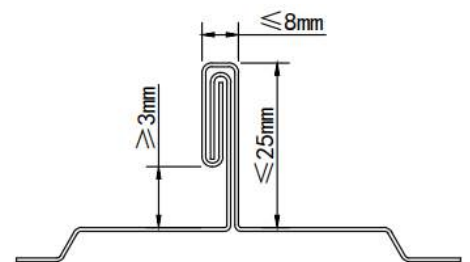
MG-SS-RC-06



MG-SS-RC-07



MG-SS-RC-08



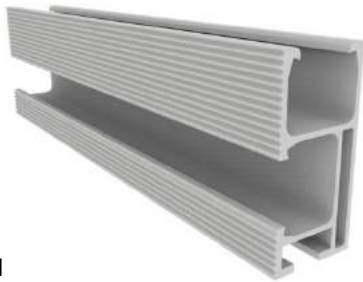
Rail & Splice for roof

These rails are designed for all kinds of roof type. It comes with high quality, high strength and low cost.

Features:

1. Material: Aluminum 6005-T5
2. Flexibility and compatible
3. Universal

Roof Rail Series



MG-RR-CH



MG-RR-CL1



MG-RR-CL2

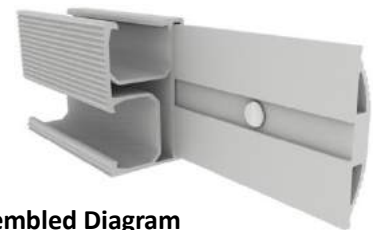


Assembled Diagram

Rail Connector Series



MG-RRC-CA-01



Assembled Diagram



MG-RRC-CA-02



Assembled Diagram

Mid Clamp & End Clamp

MG-MC-C Mid Clamp
30/32/35/40/45/50 mm



MG-EC-C End Clamp
30/32/35/40/45/50 mm



MG-AGM-MC Mid Clamp
25/30/35/40/45/46/50 mm



MG-AGM-EC End Clamp
25/30/35/40/45/46/50 mm



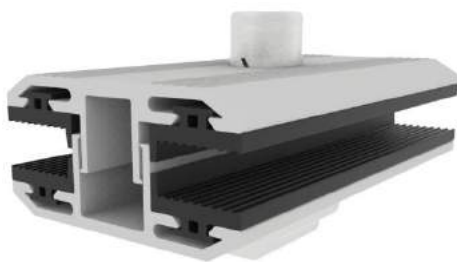
MG-AMC-C Adjustable Mid Clamp
35mm~55 mm



MG-AEC-B Adjustable End Clamp
35mm~55 mm



MG-TF-MC-L80 Thin Film Mid Clamp, 80 mm
MG-TF-MC-L120 Thin Film Mid Clamp, 120 mm

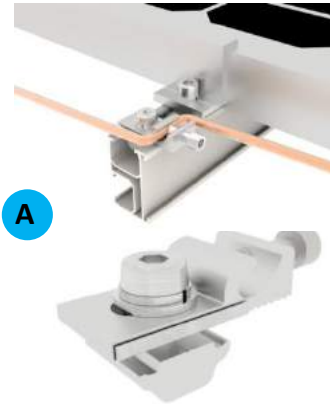


MG-TF-EC-L80 Thin Film End Clamp, 80 mm
MG-TF-EC-L120 Thin Film End Clamp, 120 mm

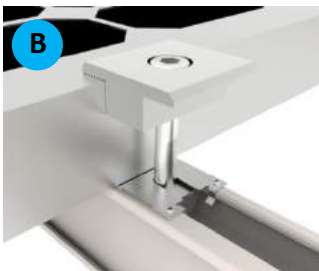
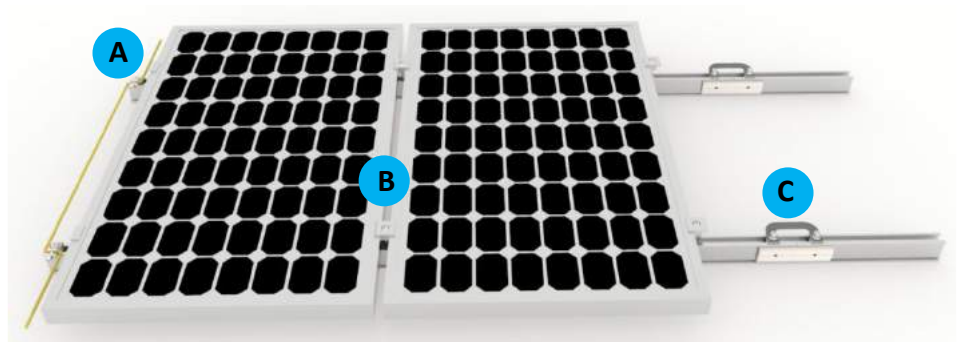


Grounding Accessories

Grounding products can be used to bond solar modules to the aluminum rails and the aluminum rails to ground, so that the entire solar system is grounded and safe; Grounding products include the stainless steel grounding clip, grounding lug and braided copper wire, which are all designed to comply with the requirement of AS5033, UL467 for bonding or grounding systems.



MG-GS-RGL Rail Ground Lug



MG-GS-GC-01 Grounding Clip

Grounding Clip will penetrate module and rail and create an electrical path through rail.



MG-GS-GC-02



MG-GS-GC-03



MG-GS-GC-04



MG-GS-GC-05



Electrically connect spliced Rails



MG-GS-BCS Braided Copper Wire

Cable Clip



MG-GS-CC-01



MG-GS-CC-02



MG-GS-CC-03